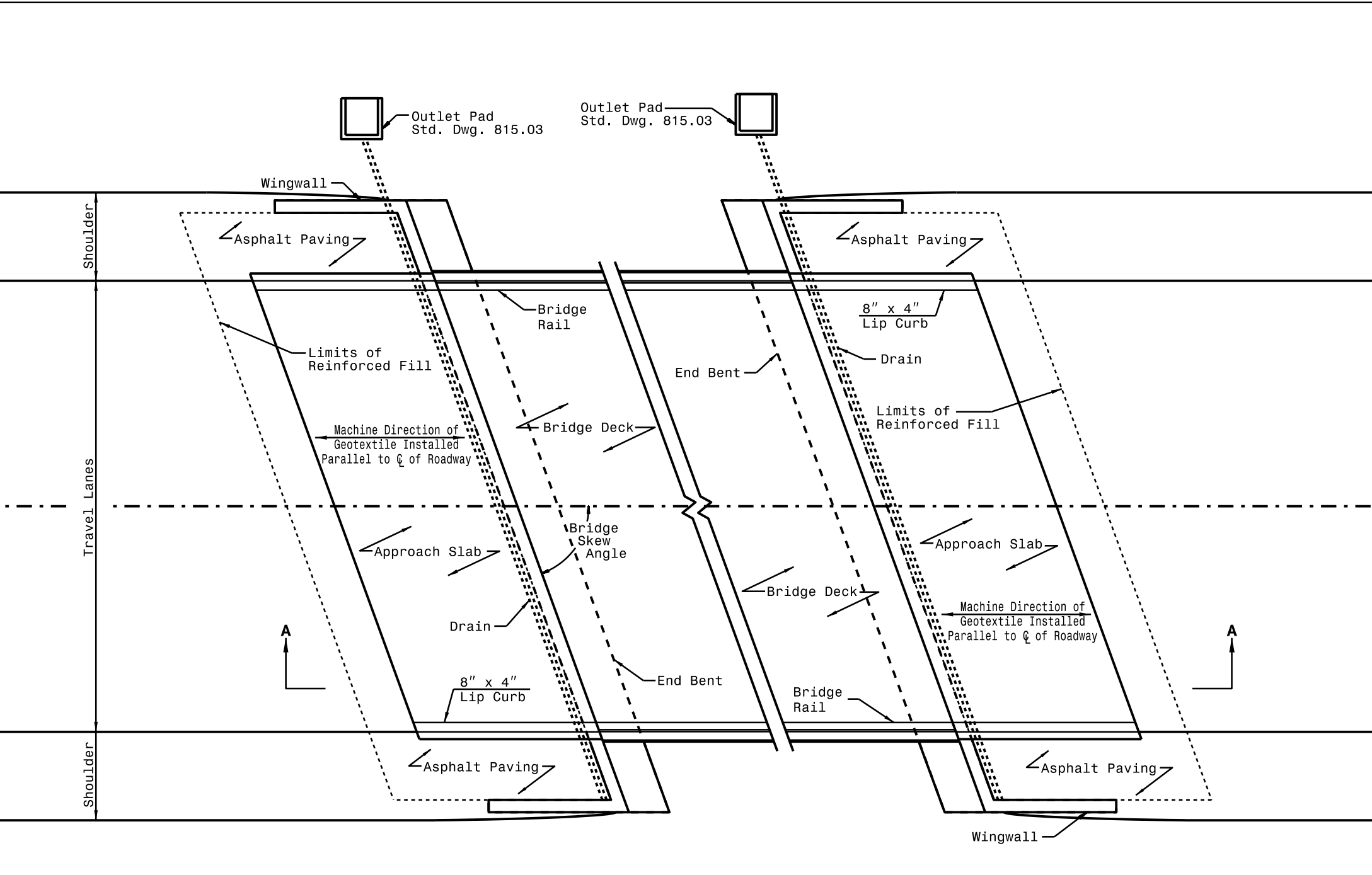


STATE OF NORTH CAROLINA
 DEPT. OF TRANSPORTATION
 DIVISION OF HIGHWAYS
 RALEIGH, N.C.

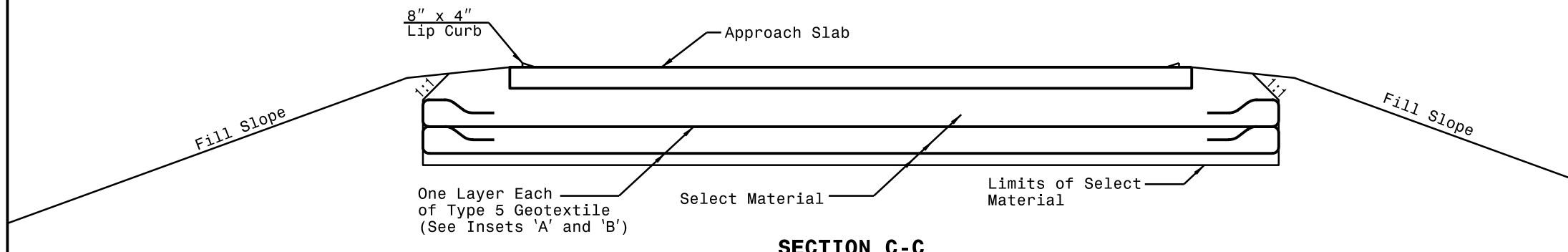
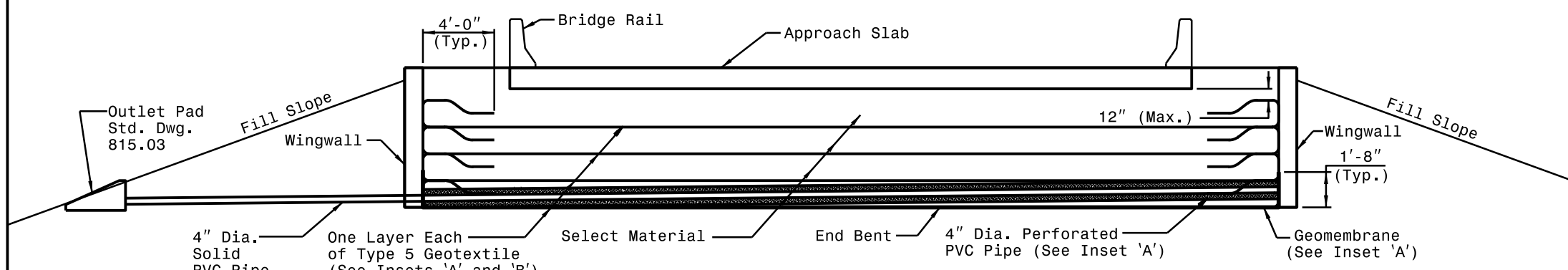
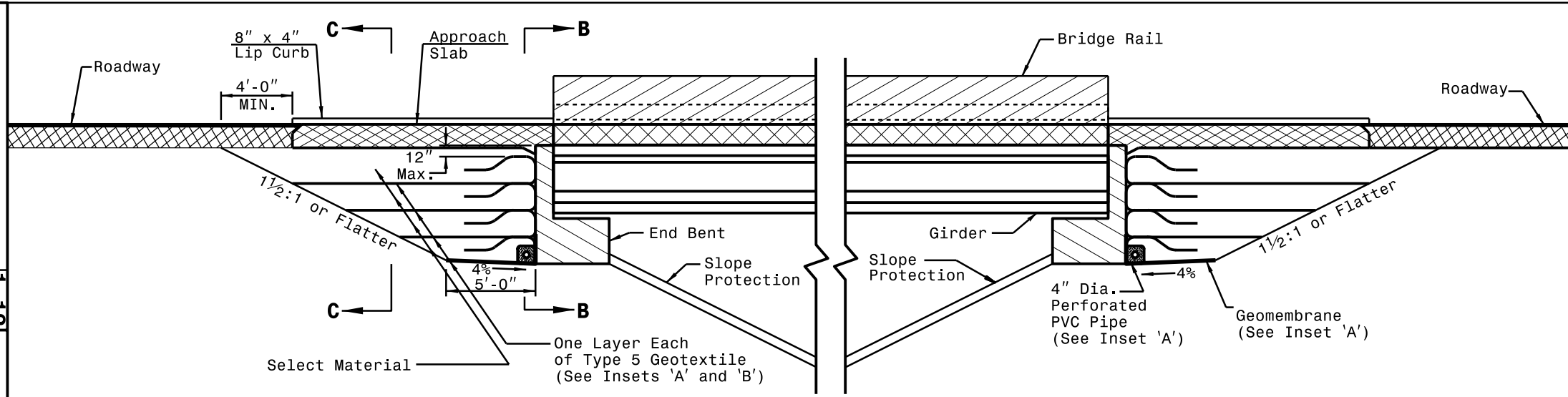
STATE OF NORTH CAROLINA
 DEPT. OF TRANSPORTATION
 DIVISION OF HIGHWAYS
 RALEIGH, N.C.

ENGLISH STANDARD DRAWING FOR
REINFORCED BRIDGE APPROACH FILLS
 15' or Less Approach Slab

ENGLISH STANDARD DRAWING FOR
REINFORCED BRIDGE APPROACH FILLS
 15' or Less Approach Slab

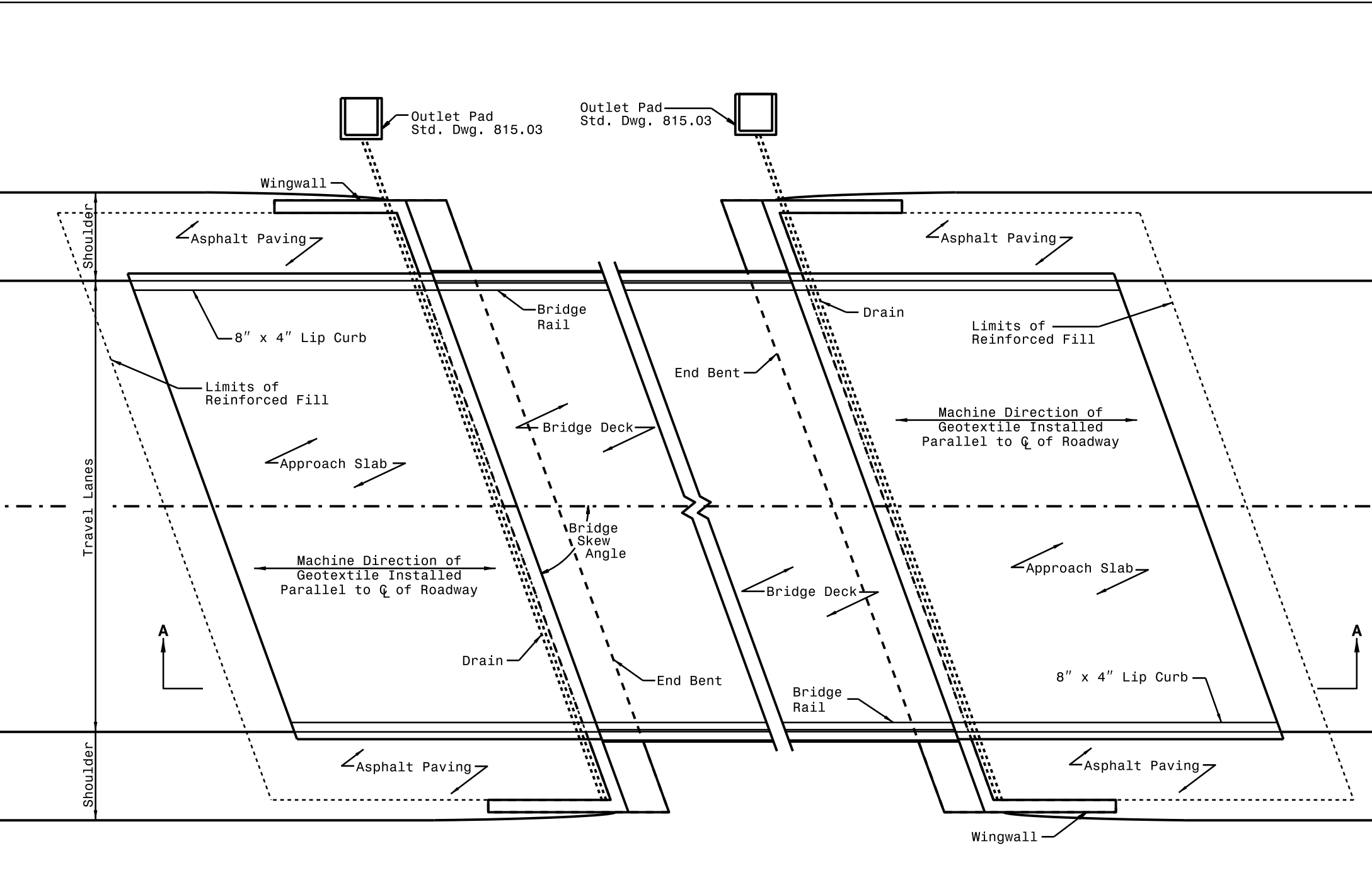


PLAN VIEW

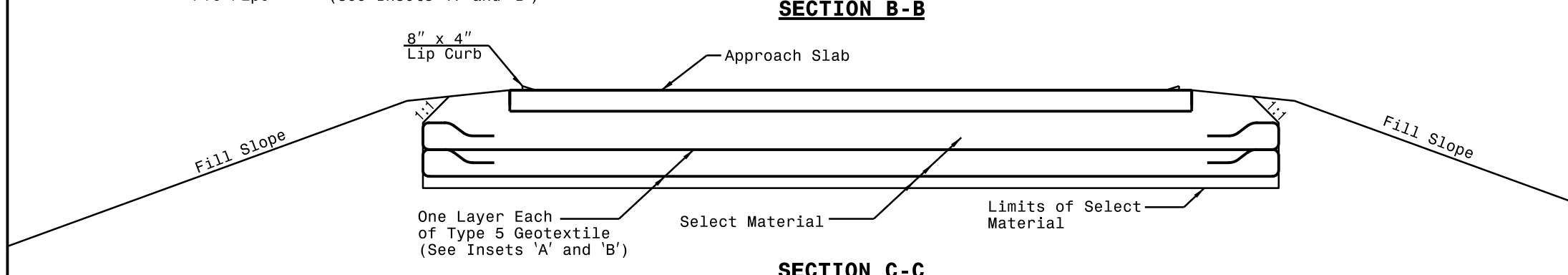
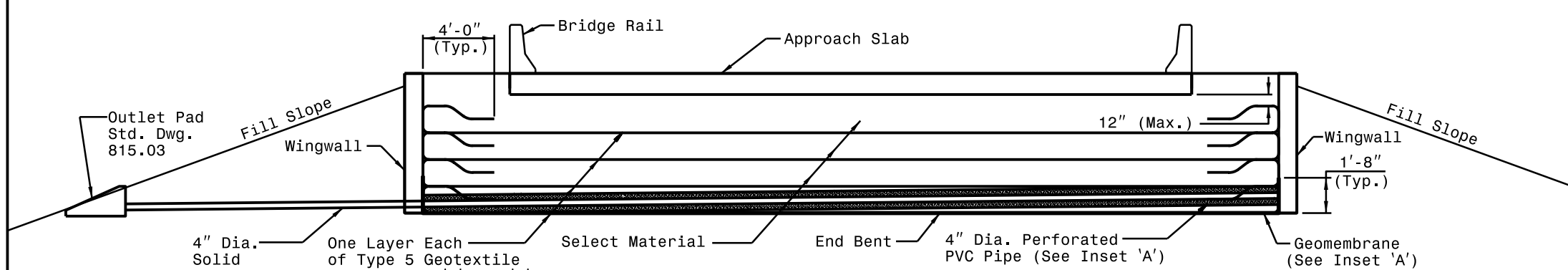
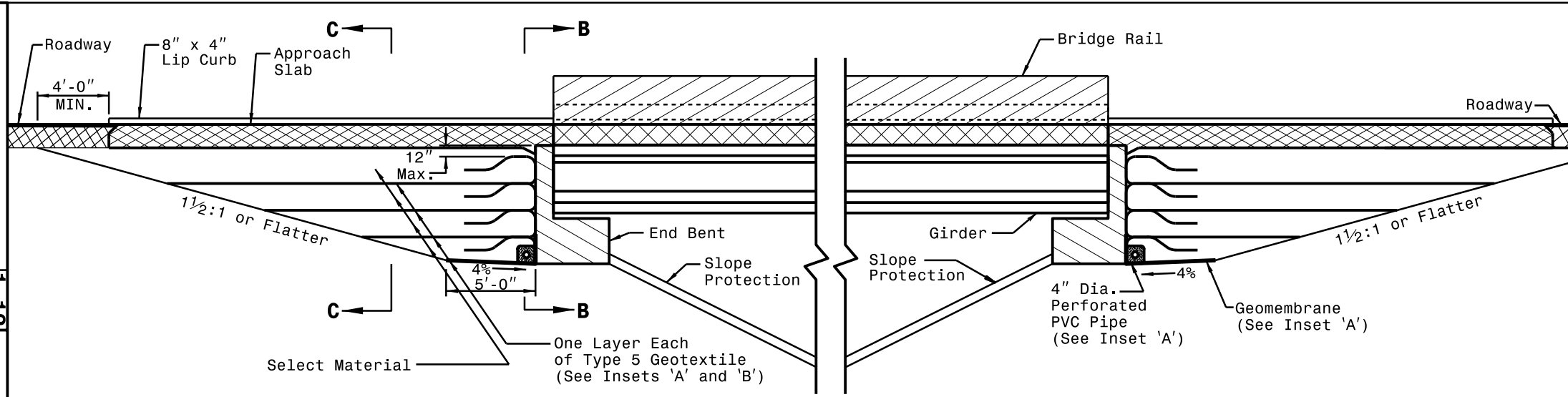


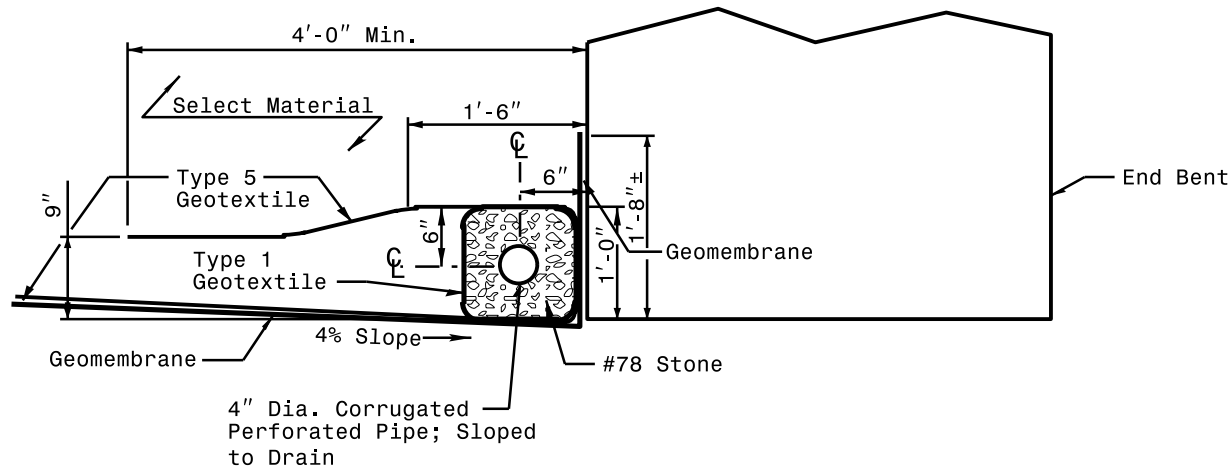
ENGLISH STANDARD DRAWING FOR
REINFORCED BRIDGE APPROACH FILLS
 25' Approach Slab

ENGLISH STANDARD DRAWING FOR
REINFORCED BRIDGE APPROACH FILLS
 25' Approach Slab



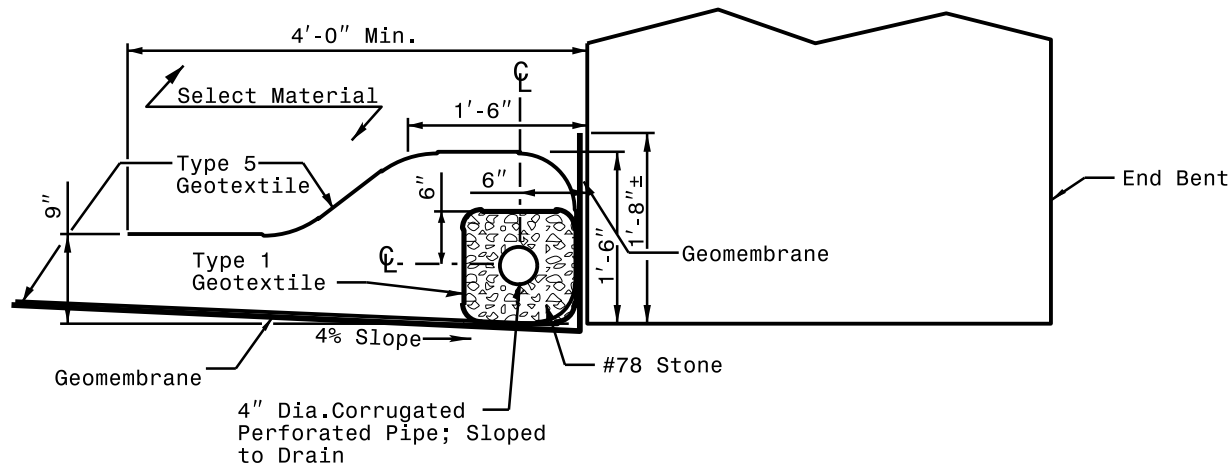
PLAN VIEW





Cored Slab Bridge

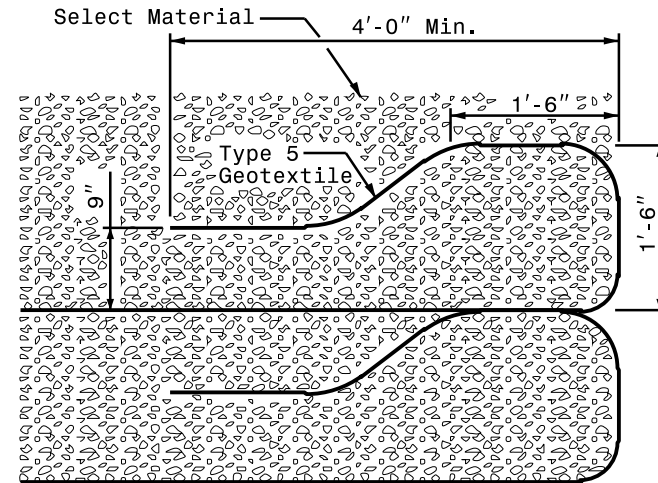
Showing First Lift and Drains



Girder Bridge

Showing First Lift and Drains

Inset 'A'



Typical Geotextile Lift and Wrap

Showing Second and Above Lifts

Inset 'B'

Height of Backwall	Number of Fabric Layers
< 4'-6"	2
4'-6" - 5'-9"	3
5'-10" - 7'-2"	4
7'-3" - 8'-8"	5
8'-9" - 10'-1"	6
10'-2" - 11'-8"	7

Length of Bridge End Bent Inside Wingwalls

If Bridge Skew is Less Than or Equal to 90°:

$$\frac{(\text{Roadway Width} + 7'-0")}{\sin(\text{Bridge Skew Angle})} = \text{Dis. Between Wingwalls}$$

If Bridge Skew is Greater Than 90°:

$$\frac{(\text{Roadway Width} + 7'-0")}{\cos(\text{Bridge Skew Angle} - 90^\circ)} = \text{Dis. Between Wingwalls}$$

STATE OF NORTH CAROLINA
 DEPT. OF TRANSPORTATION
 DIVISION OF HIGHWAYS
 RALEIGH, N.C.

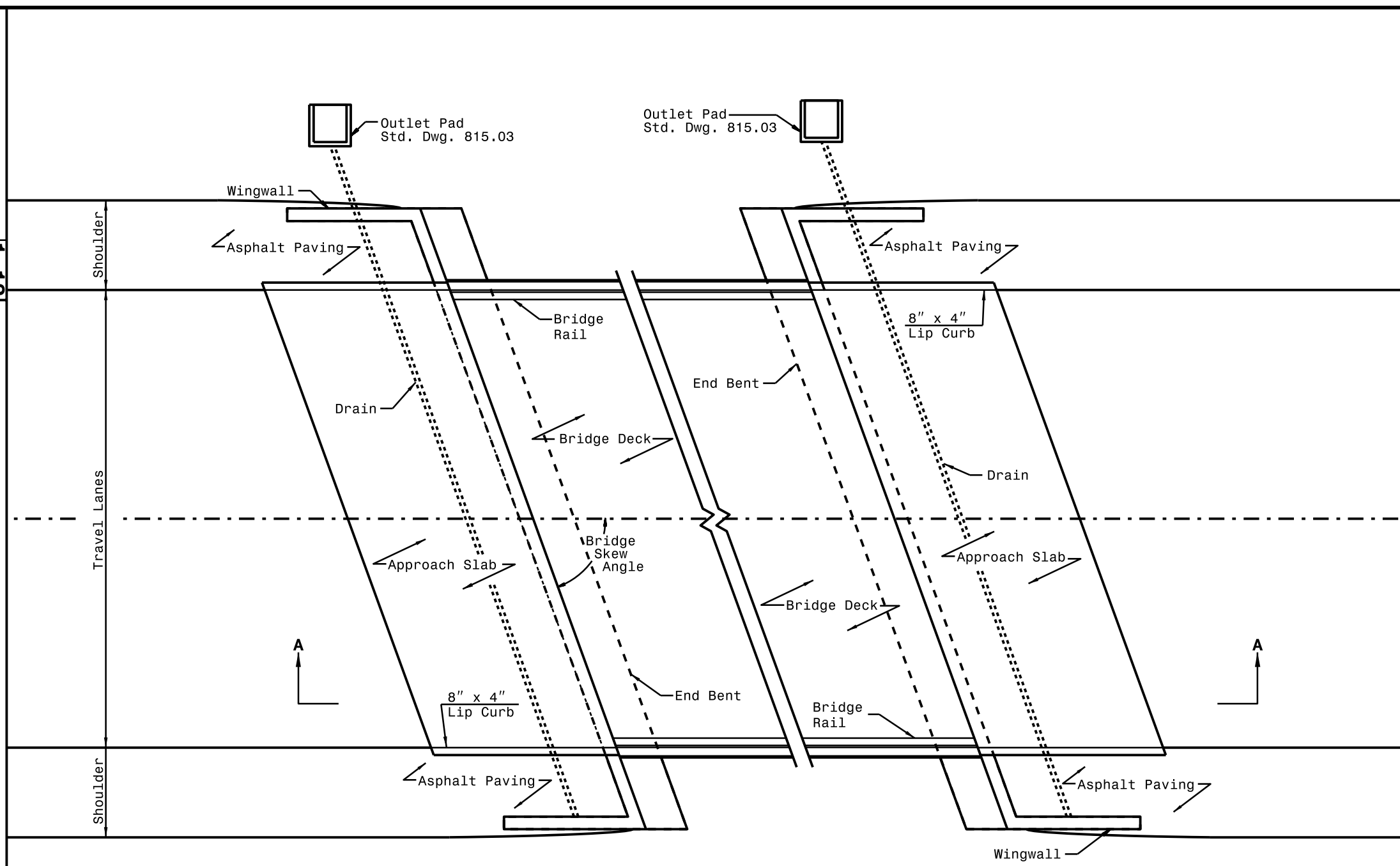
STATE OF NORTH CAROLINA
 DEPT. OF TRANSPORTATION
 DIVISION OF HIGHWAYS
 RALEIGH, N.C.

ENGLISH STANDARD DRAWING FOR
BRIDGE APPROACH FILLS
 CORED SLAB & BOX BEAM BRIDGES
 SUB REGIONAL TIER

ENGLISH STANDARD DRAWING FOR
BRIDGE APPROACH FILLS
 CORED SLAB & BOX BEAM BRIDGES
 SUB REGIONAL TIER

SHEET 1 OF 2
422.11

SHEET 1 OF 2
422.11



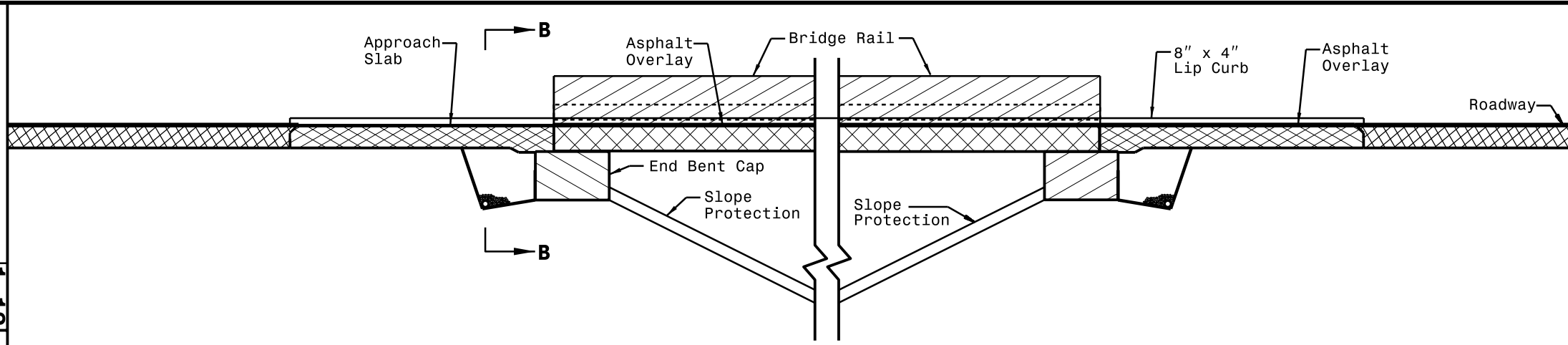
**PLAN VIEW
 APPROACH SLAB**

STATE OF NORTH CAROLINA
 DEPT. OF TRANSPORTATION
 DIVISION OF HIGHWAYS
 RALEIGH, N.C.

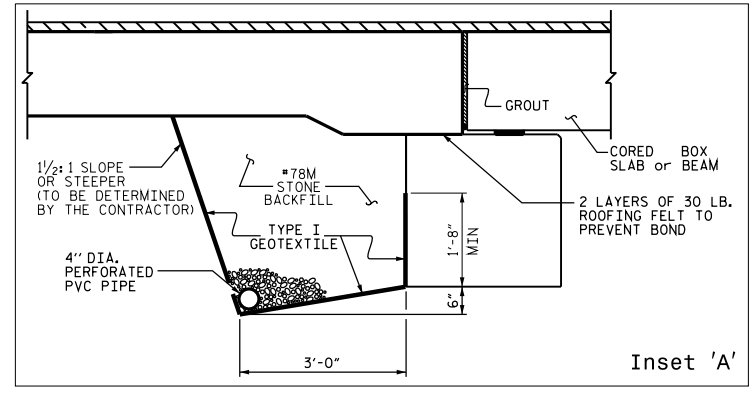
STATE OF NORTH CAROLINA
 DEPT. OF TRANSPORTATION
 DIVISION OF HIGHWAYS
 RALEIGH, N.C.

ENGLISH STANDARD DRAWING FOR
BRIDGE APPROACH FILLS
 CORED SLAB & BOX BEAM BRIDGES
 SUB REGIONAL TIER

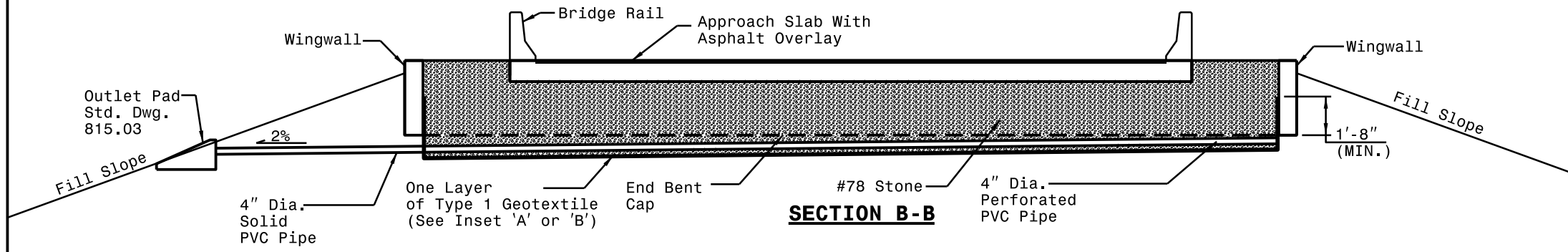
ENGLISH STANDARD DRAWING FOR
BRIDGE APPROACH FILLS
 CORED SLAB & BOX BEAM BRIDGES
 SUB REGIONAL TIER



SECTION A-A



Inset 'A'



SECTION B-B